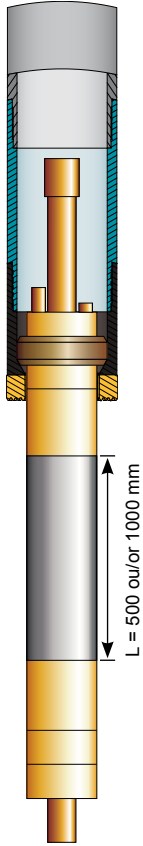




FORAGE DRILLING

15.1 Obturateurs carottage câble Wireline Packers

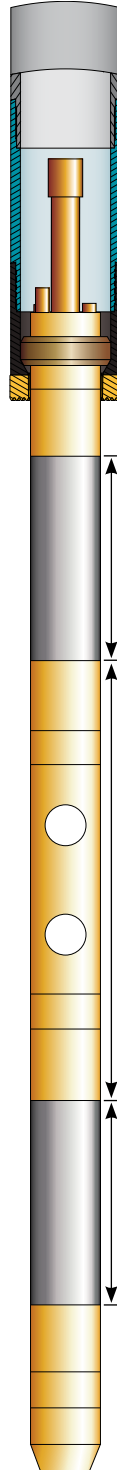
B/N/H/P



L = 500 ou/ou 1000 mm

Simple obturateur
Single Packer

B/N/H/P



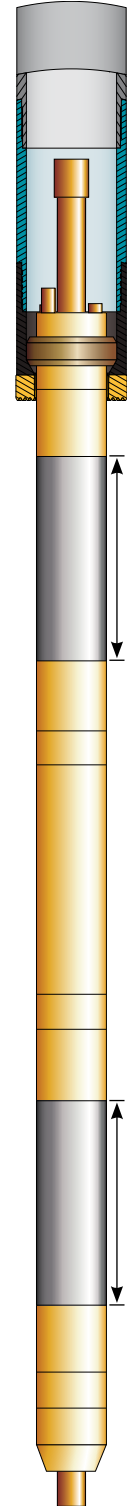
L = 500 ou/ou 1000 mm

TP = 500 ou/ou 1000 mm

L = 500 ou/ou 1000 mm

Double obturateur, injection centrale
Double Packer, Central Injection

B/N/H/P



L = 500 ou/ou 1000 mm

L = 500 ou/ou 1000 mm

Double obturateur
Double Packer



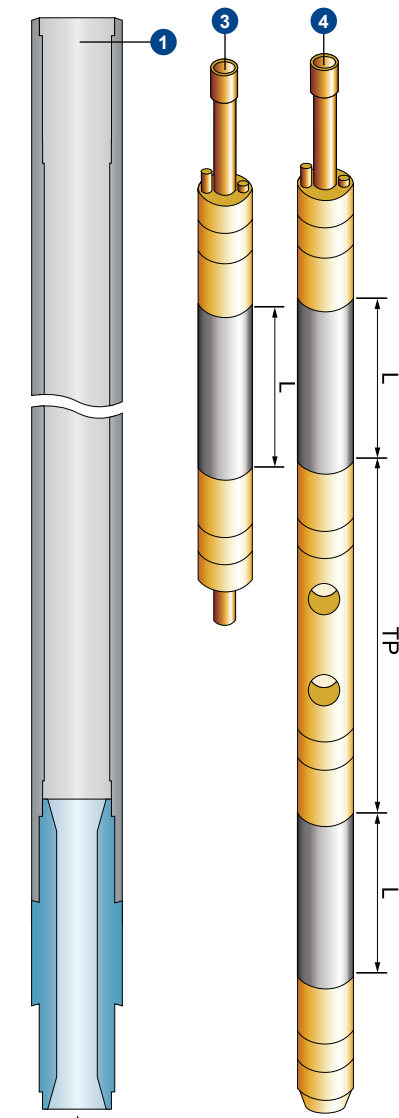
15.2 Forage destructif pour l'injection Non-coring equipment for Grouting Applications

FORAGE DRILLING



TROU Ø 46 MM / BOREHOLE Ø 46 MM Autres diamètres sur demande / Other diameters on request

1	Tiges / Drill Rods CR 42 - long 3.00 m	RODC042RH300ME
	Tiges / Drill Rods CR 42 - long 1.50 m	RODC042RH150ME
	Tiges / Drill Rods CR 42 - long 1.00 m	RODC042RH100ME
	Tiges / Drill Rods CR 42 - long 0.50 m	RODC042RH050ME
2	Outil Imprégné / Impregnated Bit - Tornado 4	TIMP046T040C42B
	Outil Imprégné / Impregnated Bit - Tornado 2	TIMP046T020C42B
	Outil Serti / Surface Set Bit - HD-10 12/20 spc	TH10046S150C42B
	Outil Serti / Surface Set Bit - HD-10 30/40 spc	TH10046S350C42B
	Outil TSD / TSD Bit - HT-40	TH40046MS00C42B
	Outil PDC / PDC Bit - V-13	TV13046MP00C42B
	Outil PDC / PDC Bit - V-8	TV08046MP00C42B
	Outil carbure / TCI bit	TTCI046CPT0C42B
3	Obturbateur simple / Simple Packer	
	Bimbar 1R42 L500	PACKERS244312
	Bimbar 1R42 L1000	PACKERS244313
	Bimbar 11R42 L500	PACKERS244412
Bimbar 11R42 L1000	PACKERS244413	
4	Obturbateur double / Double Packer	
	Bimbar 1R42 L500 TP 500	PACKERS244322
	Bimbar 1R42 L500 TP 1000	PACKERS244332
	Bimbar 1R42 L1000 TP 1000	PACKERS244333
	Bimbar 11R42 L500 TP 500	PACKERS244422
	Bimbar 11R42 L500 TP 1000	PACKERS244432
	Bimbar 11R42 L1000 TP 1000	PACKERS244433
	Bimbar 11R42 L1000 TP 1000	PACKERS244433

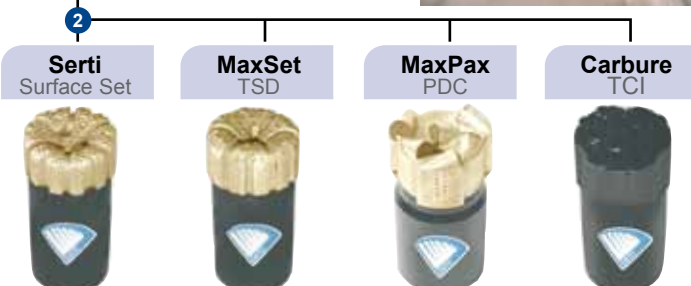
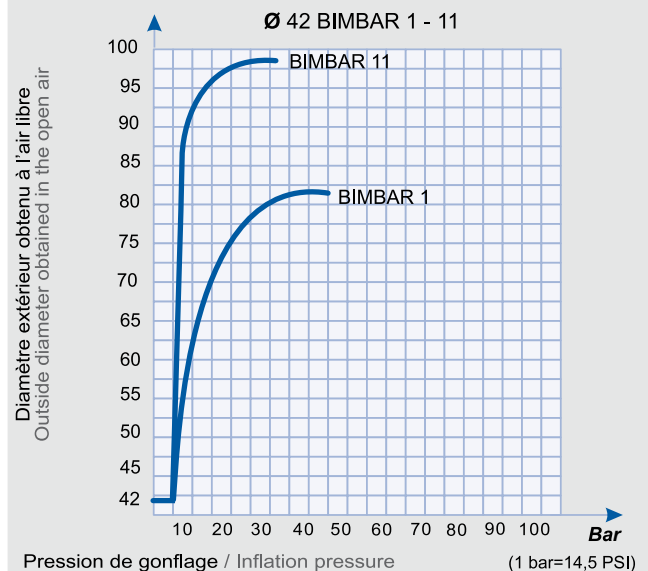


Pression de gonflage Trou 46 mm
Inflation pressure 46 mm borehole

130
Bar Maxi

Pour plus d'informations, reportez-vous à la section des obturbateurs
For more informations go to the Packers section

Diagramme de dilatation / Inflation curves





CAROTTAGE ET FORAGE DIAMANTÉ

DIAMOND CORING AND DRILLING

FORAGE DRILLING

15.2

Forage destructif pour l'injection

Non-coring equipment for Grouting Applications



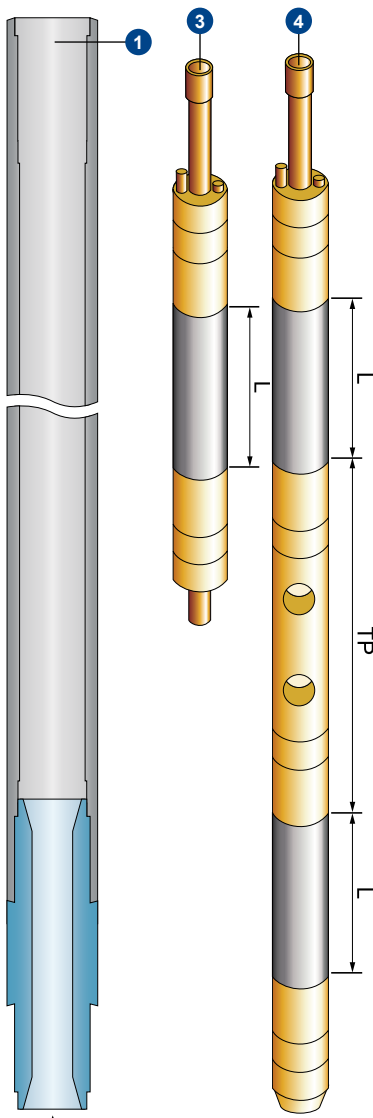
TROU Ø 56 MM / BOREHOLE Ø 56 MM Autres diamètres sur demande / Other diameters on request

1	Tiges / Drill Rods CR 42 - long 3.00 m	RODC042RH300ME
	Tiges / Drill Rods CR 42 - long 1.50 m	RODC042RH150ME
	Tiges / Drill Rods CR 42 - long 1.00 m	RODC042RH100ME
	Tiges / Drill Rods CR 42 - long 0.50 m	RODC042RH050ME

2	Outil Imprégné / Impregnated Bit - Tornado 4	TIMP056T040C50B
	Outil Imprégné / Impregnated Bit - Tornado 2	TIMP056T020C50B
	Outil Serti / Surface Set Bit - HD-10 12/20 spc	TH10056S150C50B
	Outil Serti / Surface Set Bit - HD-10 30/40 spc	TH10056S350C50B
	Outil TSD / TSD Bit - HT-40	TH40056MS00C50B
	Outil PDC / PDC Bit - V-13	TV13056MP00C50B
	Outil PDC / PDC Bit - V-8	TV08056MP00C50B
	Outil carbure / TCI bit	TTCI056CPT0C50B

3	Obturateur simple / Simple Packer		
	Bimbar 1R42	L500	PACKERS244312
	Bimbar 1R42	L1000	PACKERS244313
	Bimbar 11R42	L500	PACKERS244412
Bimbar 11R42	L1000	PACKERS244413	

4	Obturateur double / Double Packer			
	Bimbar 1R42	L500	TP 500	PACKERS244322
	Bimbar 1R42	L500	TP 1000	PACKERS244332
	Bimbar 1R42	L1000	TP 1000	PACKERS244333
	Bimbar 11R42	L500	TP 500	PACKERS244422
	Bimbar 11R42	L500	TP 1000	PACKERS244432
Bimbar 11R42	L1000	TP 1000	PACKERS244433	

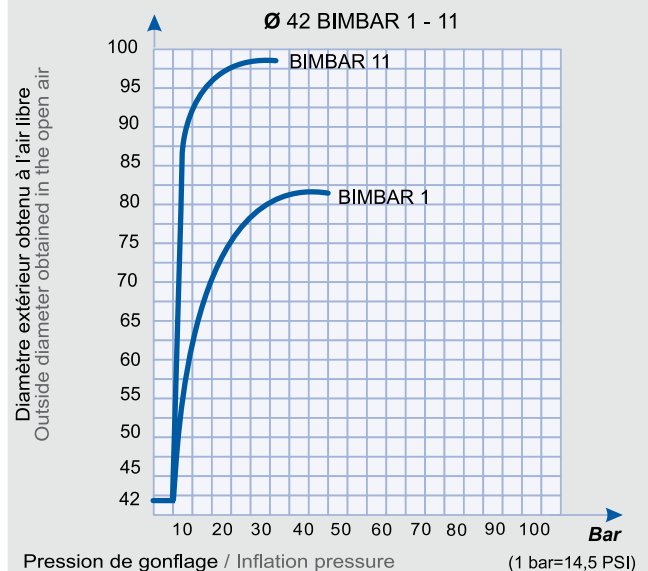


Pression de gonflage Trou 56 mm
Inflation pressure 56 mm borehole

70
Bar Maxi

Pour plus d'informations, reportez-vous à la section des obturateurs
For more informations go to the Packers section

Diagramme de dilatation / Inflation curves



Serti
Surface set

MaxSet
TSD

MaxPax
PDC

Carbure
TCI



180
DATC



+33 (0)3 81 41 06 06



N°Indigo 0820 FORAGE

0 820 36 72 43 - (0,12 €/min)



15.2 Forage destructif pour l'injection

Non-coring equipment for Grouting Applications

FORAGE DRILLING



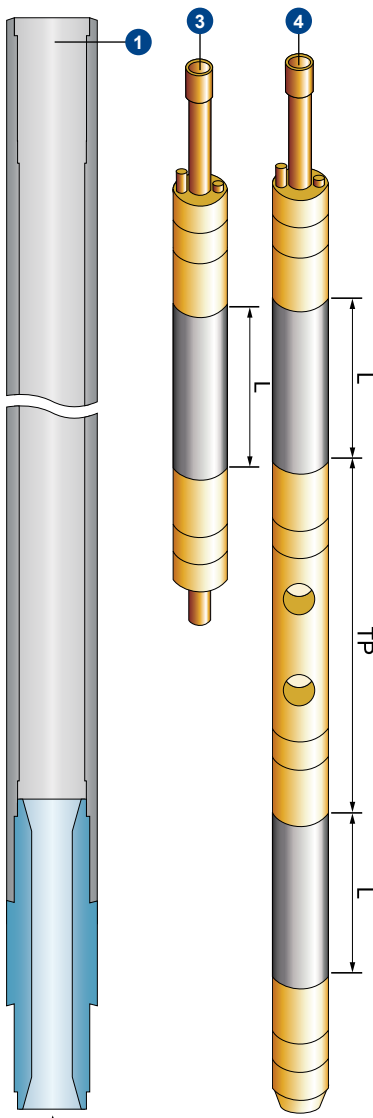
TROU Ø 60 MM / BOREHOLE Ø 60 MM Autres diamètres sur demande / Other diameters on request

1	Tiges / Drill Rods CR 50 - long 3.00 m	RODC050RH300ME
	Tiges / Drill Rods CR 50 - long 1.50 m	RODC050RH150ME
	Tiges / Drill Rods CR 50 - long 1.00 m	RODC050RH100ME
	Tiges / Drill Rods CR 50 - long 0.50 m	RODC050RH050ME

2	Outil Imprégné / Impregnated Bit - Tornado 4	TIMP060T040C50B
	Outil Imprégné / Impregnated Bit - Tornado 2	TIMP060T020C50B
	Outil Serti / Surface Set Bit - HD-10 12/20 spc	TH10060S150C50B
	Outil Serti / Surface Set Bit - HD-10 30/40 spc	TH10060S350C50B
	Outil TSD / TSD Bit - HT-40	TH40060MS00C50B
	Outil PDC / PDC Bit - V-13	TV13060MP00C50B
	Outil PDC / PDC Bit - V-8	TV08060MP00C50B
	Outil carbure / TCI bit	TTCI060CPT0C50B

3	Obturateur simple / Simple Packer		
	Bimbar 1R42	L500	PACKERS244312
	Bimbar 1R42	L1000	PACKERS244313
	Bimbar 11R42	L500	PACKERS244412
Bimbar 11R42	L1000	PACKERS244413	

4	Obturateur double / Double Packer			
	Bimbar 1R42	L500	TP 500	PACKERS244322
	Bimbar 1R42	L500	TP 1000	PACKERS244332
	Bimbar 1R42	L1000	TP 1000	PACKERS244333
	Bimbar 11R42	L500	TP 500	PACKERS244422
	Bimbar 11R42	L500	TP 1000	PACKERS244432
Bimbar 11R42	L1000	TP 1000	PACKERS244433	

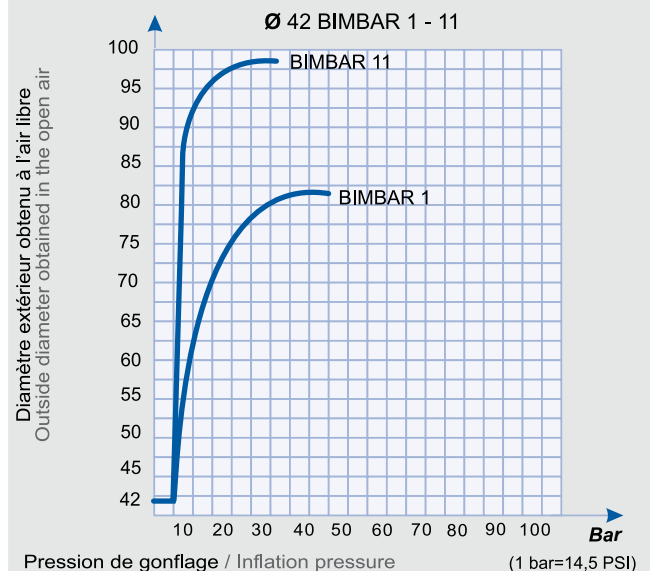


Pression de gonflage Trou 60 mm
Inflation pressure 60 mm borehole

70
Bar Maxi

Pour plus d'informations, reportez-vous à la section des obturateurs
For more informations go to the Packers section

Diagramme de dilatation / Inflation curves



Serti
Surface Set



MaxSet
TSD



MaxPax
PDC



Carbure
TCI

